


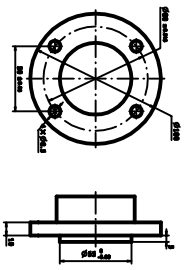
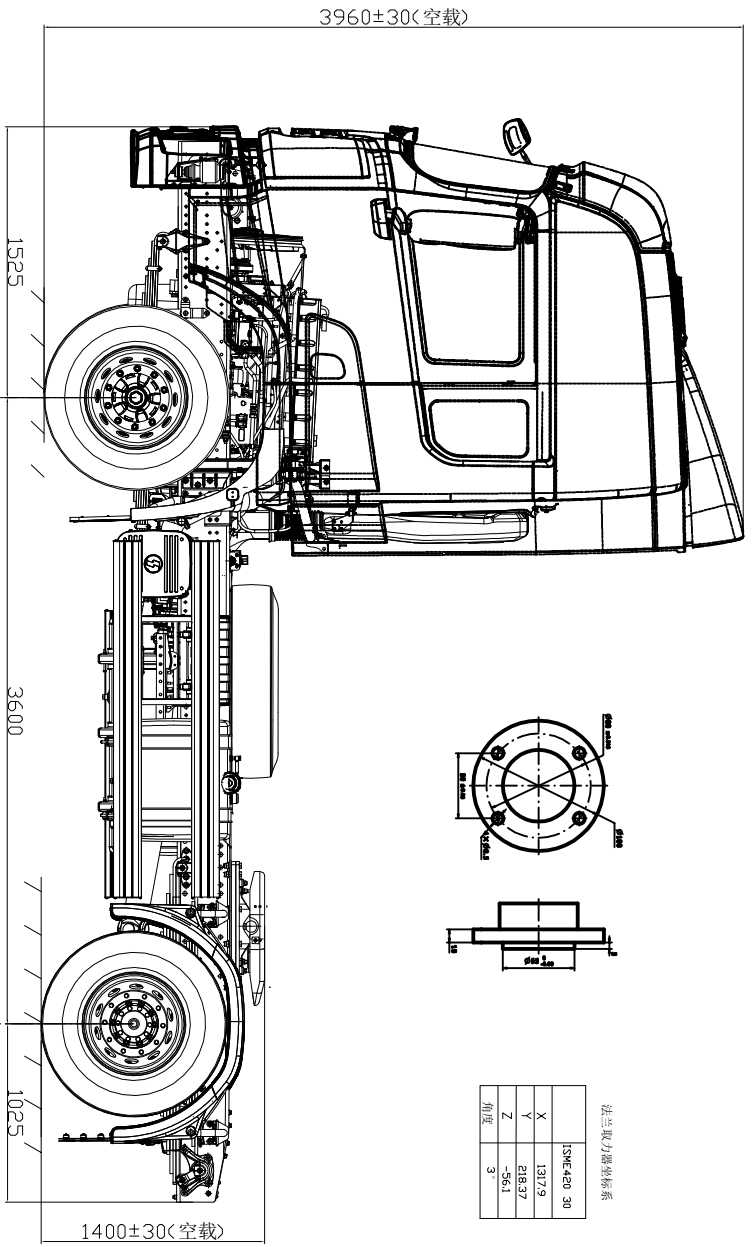
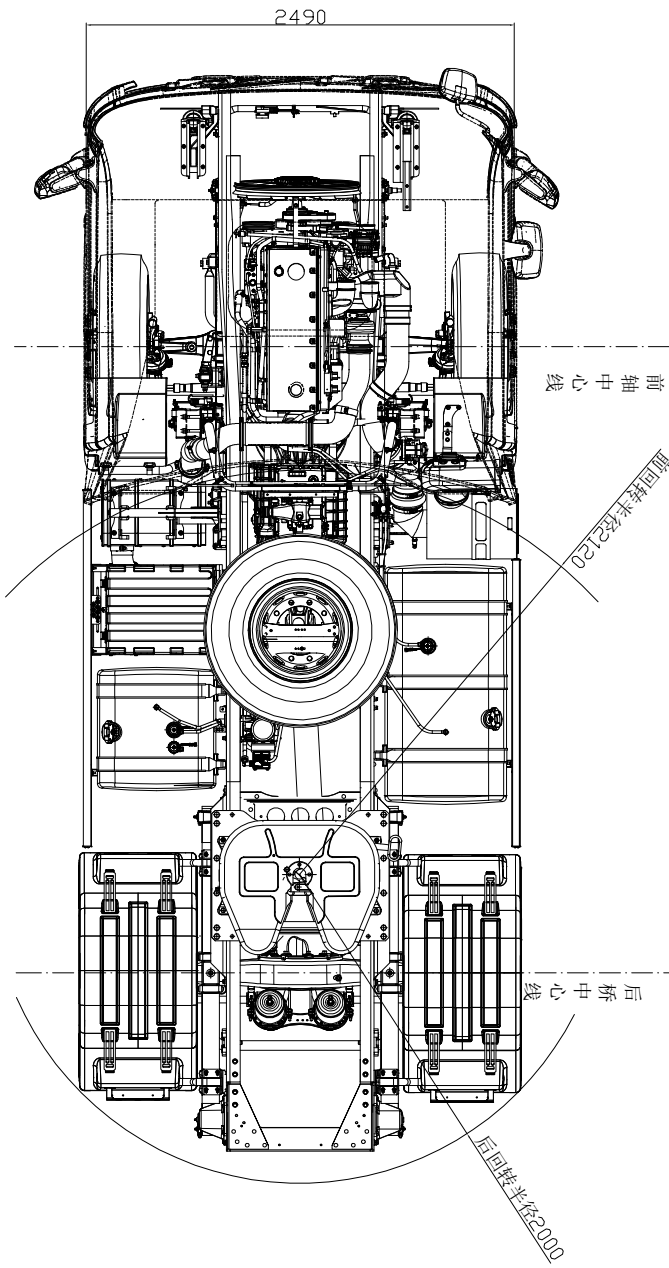


SHACMAN

X30004X2 Tractor Main Specifications

Modele		SX41874V361C	
GCW (kg)	45000		
Curb mass (kg)	6800		
Max. Grade Ability (%)	27%		
Min. Ground Clearance (mm)	315		
Dimension (mm)	Length	6150	
	Width	2490	
	Height	3650	
Wheel base (mm)	3600		
Front/Rear Overhang	1525/1025		
Emission Standards	EuroIII		
The max speed (Km/h)	90		
Engine	Model	Cummins ISME420 30	
	Max power (kW/rpm)	309/1900	
	Max torque(n.m/rpm)	2010N.m/1200	
	Type	Diesel 6-cylinder in line, 4-stroke, water cooling, with turbo charging and inter-cooling	
	Displacement (L)	10.8	
Gearbox	Transmission	FAST BRAND Model: F16JZ24A with PTO	
	Type	AMT	
	Speed	F16&2R	
	Ratio	F: 14.13/11.7/9.77/8.09/6.69/5.54/4.52/3.74/3.13/2.59/2.16/1.79/1.48/1.22/1.00/0.83	

		R1:13/R2:10.77
Steering		ZF 8098
Clutch		φ 430 Eton
Cab		SHACMAN X3000, high roof cab. With deflecteur
		driver seat with air suspension
		two sleeping bed
Air filter		Fleetguard Air filter
Air-conditioner		Automatic A/C
Front axle		7.5T MAN
Suspension		Front& Rear Multi-leaf spring
Frame mm		(940-850)×300 (single 8)
Rear axle		13T MAN, Single reduction driving axle with inter-wheel differential and differential lock. Ratio: 4.111
Brake System	Type	Drum
	Service	With dual-circuit compressed air brake
	Parking	Power spring brake acting on rear wheel
	Auxiliary Brake	JACOB WABCO 4 channel ABS
Tire		315/80R22.5 with one spare tire
Battery		24V 、 180Ah
Fuel tank capacity (L)		600L+300L Aluminum Tank with cover.
Equipment		Rear windows, electrical window lifter , four points air suspension cab, Electrical hydraulic reversal cab, with USB, can play radio with MP3 forma, ,Electronic Tachographs, Fiberglass reinforced plastic bumper, Cruise Control System.
Fifth Wheel		JOST 50#



法兰取力器标识系

	ISWC420_30
X	1317.9
Y	218.37
Z	-96.1
角度	3°