



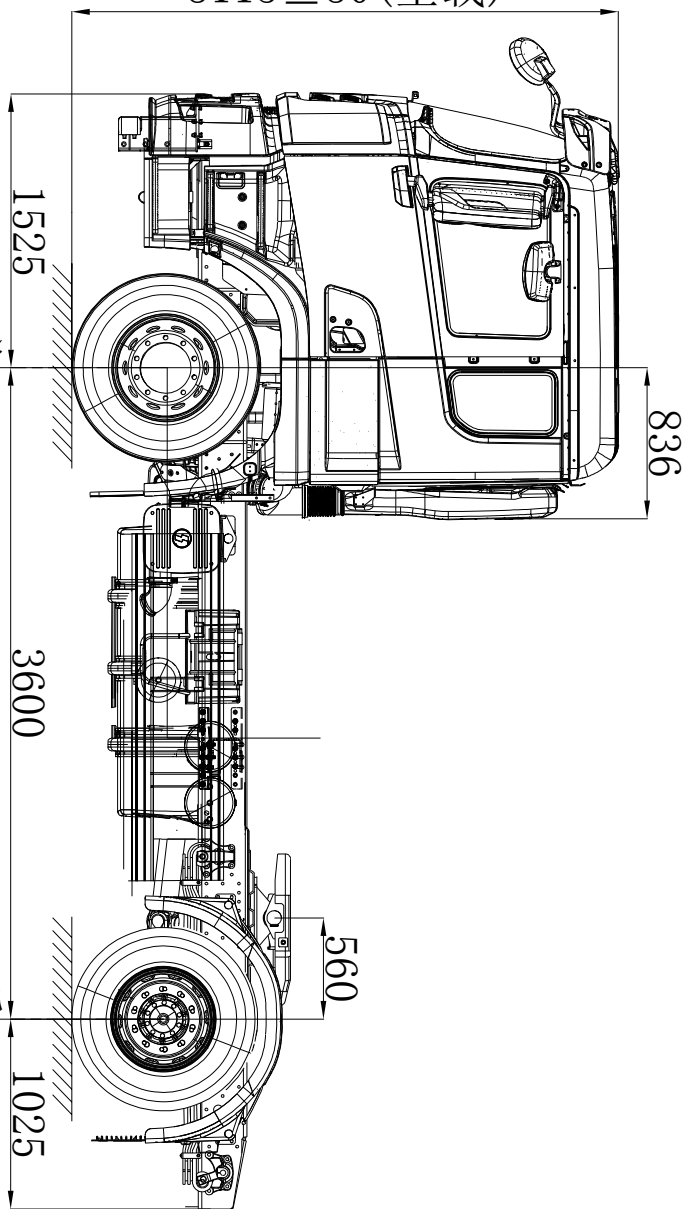
SHACMAN

X3000 4X2 Tractor Main Specifications

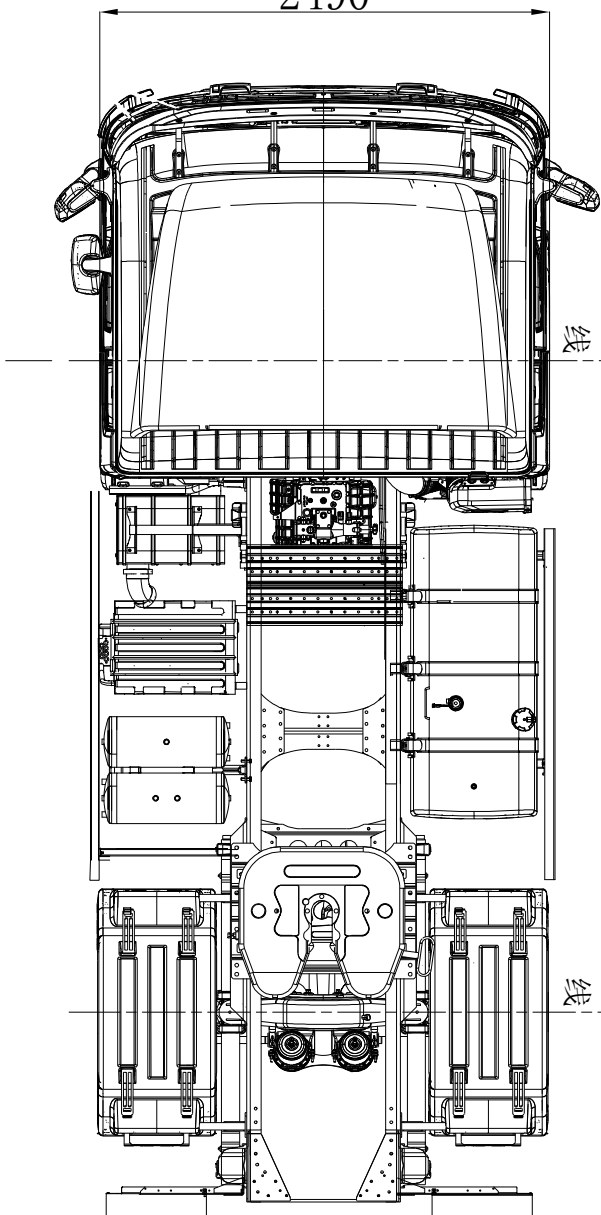
Model		SX41855X361	
GCW (kg)		45000	
Curb weight (kg)		6800	
Max. Grade Ability (%)		27	
Min. Ground Clearance (mm)		315	
Dimension (mm)	Length	6150	
	Width	2490	
	Height	3650	
Wheel base (mm)		3600	
Front/Rear Overhang		1525/1025	
Emission Standards		Euro II	
Engine	Model	WP12.460N	
	Max power (kw/rpm)	338/1900	
	Max torque(n.m/rpm)	2110/1000~1400	
	Displacement (L)	11.596	
Gearbox		SF16JZ220A	
Steering		ZF technology	
Clutch		EATONΦ430 diaphragm-spring type	
Cab	SHACMAN X3000 flat-top cab		
	Driver seat with air suspension		
	One sleeping bed		
Air filter		FLEETGUARD Air filter	
Air-conditioner		Automatic A/C	
Front axle		7.5T MAN	
Suspension		Front& Rear Multi-leaf spring	
Frame (mm)		(940-850)×300 (single 8)	
Rear axle		13T MAN, Single reduction driving axle with inter-wheel differential and differential lock. Ratio:3.545	
Tire		315/80R22.5 with one spare tire	
Battery		24V、165Ah	
Fuel tank capacity (L)		700L Aluminum Tank with cover.	

Equipment	Multi-function steering wheel, driving recorder, electric cab tilt, three-level entry pedal, fiberglass bumper, electric window shaker, central locking (with remote control), electric heated rearview mirror, WABCO imported four-channel ABS_ASR, FHB400 hydraulic retarder, spare tire rack
Fifth Wheel	JOST 50

3115±30(空载)



2490



前轴中心线

后桥中心线