




SHACMAN

L3000 4X2 CARGO TRUCK

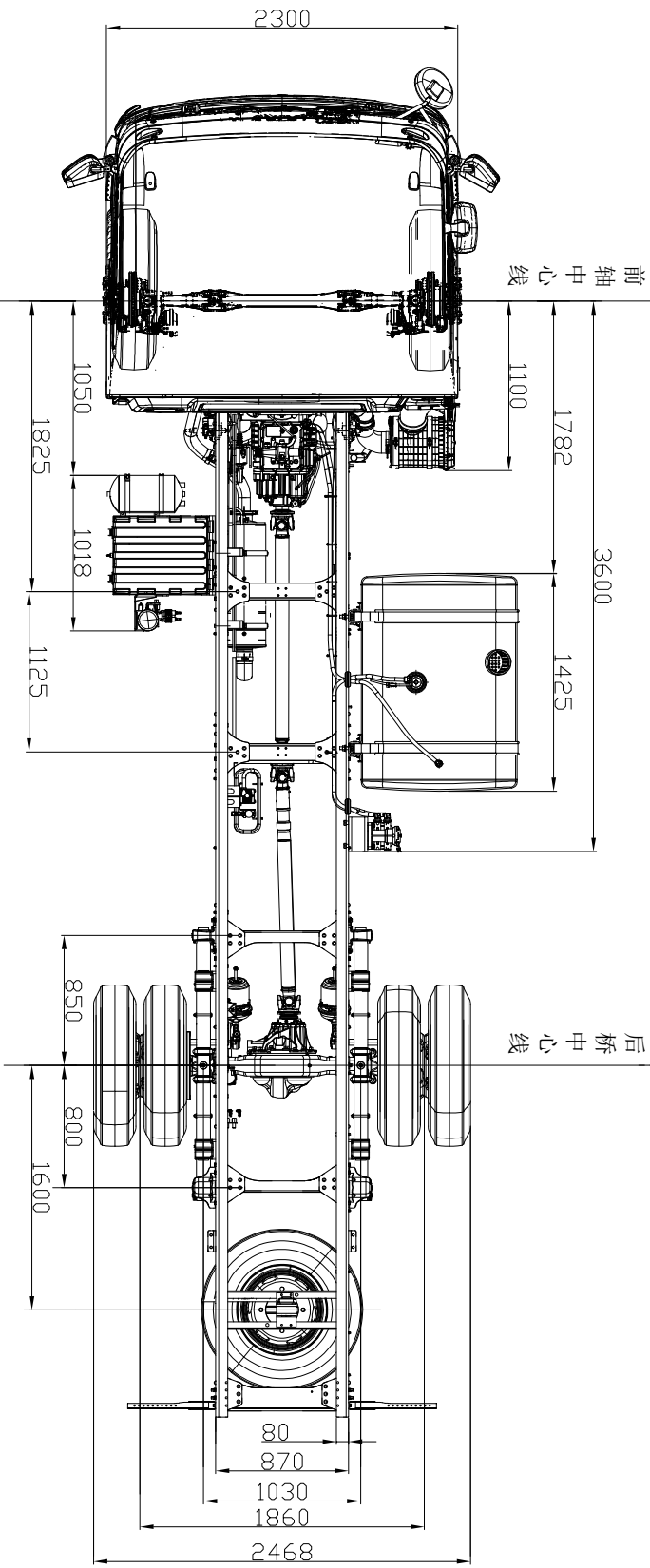
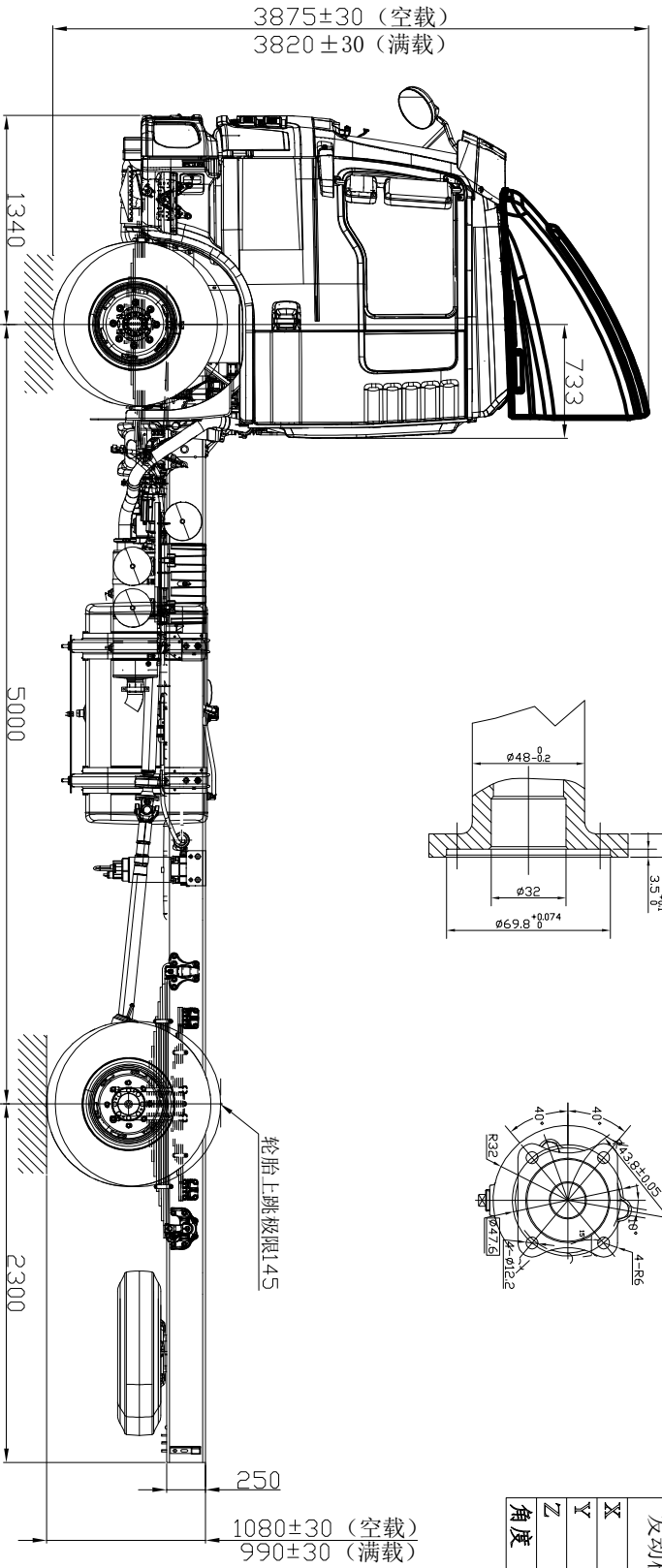
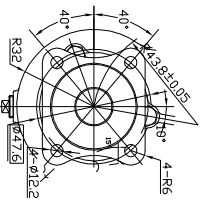
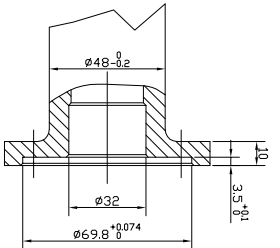
Main Specifications

Model		SHACMAN SX11858J501	
GVW (kg)		18000	
Curb mass (kg)		5900	
Max Loading capacity (kg)		12100	
Dimensions (mm)	Length	8940	
	Width	2470	
	Height	3050	
Wheel base (mm)		5000	
Front/Rear Overhang		1340/2600	
Emission Standards		EuroII	
The max speed (Km/h)		90	
Engine	Model	WEICHAI WP6.210E32	
	Max power (Kw/rpm)	155/2300	
	Max torque(n.m/rpm)	800N.m/1400-1600	
	Type	Diesel 6-cylinder in line, 4-stroke, water cooling, with turbo charging and inter-cooling	
	Displacement (L)	6.75	
Gearbox	Transmission	FAST 8JS85TE-C Aluminum with PTO	
	Type	Manual	
	Speed	8F&2R	
	Ratio	F: 10.36/6.48/4.32/3.47/2.40/1.5/1.00/0.8 R: 10.53/2.44	
Steering		Chinese brand Left hand Drive.	
Clutch		φ395	
Cab		SHACMAN L3000 cab with deflector	

		Driver seat with hydraulic
		ONE sleeping bed
		The third seat
Air filter		General Air filter
Air-conditioner		Automatic A/C
Front axle		4.8T with disk brake
Suspension		Front& Rear Multi-leaf spring
Frame (mm)		870x250 (7+4)
Rear axle		10T MAN technology single reduction driving axle with inter-wheel differential and differential lock. Ratio: 4.625
Brake System	Type	Front disk rear drum
	Auxiliary Brake	WEVB 4 channels ABS
Tire		10.00R20 with one spare tire
Battery		24V, 135Ah
Fuel tank capacity (L)		300L Aluminum Tank with cover
Color		White
Equipment		Electric flip cab, Electric window shaker, Central locking (with remote control), Electric heating mirror, WBCO Valves, Speed limit device, Tachograph, Electronic cruising device, Radio with MP3
Cargo	Dimension (mm)	6800*2450*600
	Thickness	Bottom 3 mm, side 2 mm

取力器坐标系

发动机	WP6.210E32
X	927.6
Y	251
Z	-104.4
角度	2° 30'



轮胎上跳极限1.45